

MXD70 SERIES MULTI-PARAMETER CONTROLLER

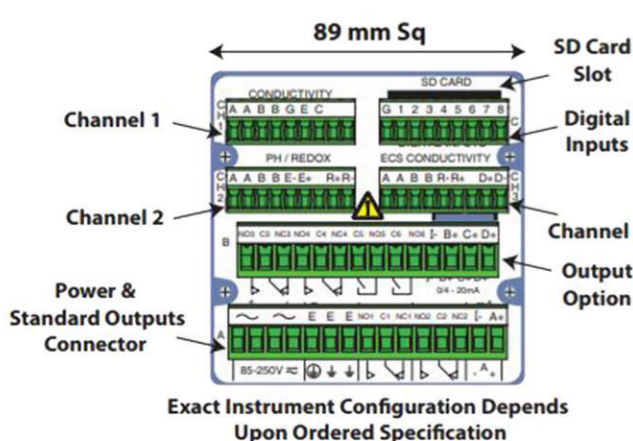


The innovative MXD70 series of process instruments brings a new dimension to analytical process measurements with the modular design to meet ever changing process requirements

- MXD73 Compact 96 DIN IP66 Panel mount version
- MXD75 IP66 Surface / Pipe mount version
- 3 3/4" QVGA Backlit LCD display provides clear indication as single or multiple measurements

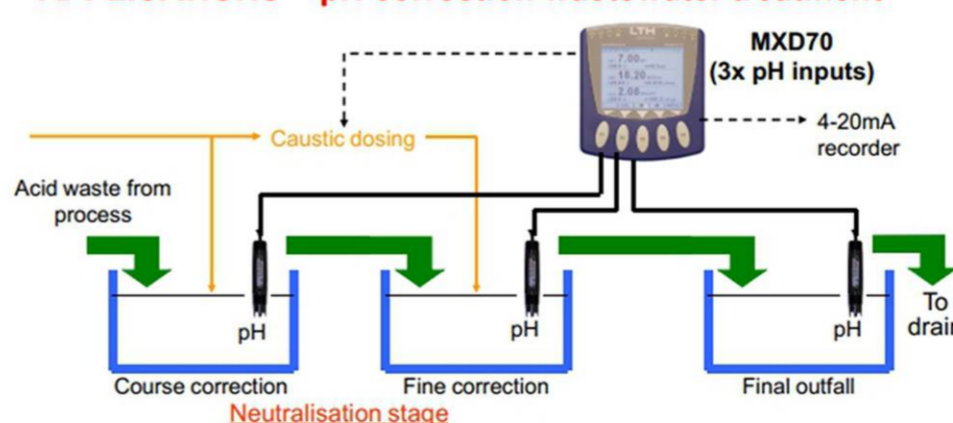


- Built-in SD card for Configuration and Data logger (option)
- Input Expansion Slots 3 slots, user configurable with any combination of available input parameter
- Output Expansion Slots 1 slot, user configurable option for relay/analog or RS485 add-in card.
- Input Parameters
 - Contacting / Electrodeless Conductivity
 - pH / Redox (DRP)
 - Dissolved Oxygen
 - Suspended Solids And Turbidity
 - Analog 4-20 mA Input for chlorine or any other designable



MXD70 SERIES

APPLICATIONS – pH correction wastewater treatment



LTH Electronics Ltd.
19th June 1967 - 19th of June 2017

Flowmeters Thai Co.,Ltd.

Address 555/100 B-Avenue, Sukhapijan 5 Road, Au-Ngen, Saimai Bangkok 10220 Thailand
Tel.:662-1925930-5, Fax.:662-1925932 Email:sales@flowmeters.co.th www.flowmeters.co.th

The Facility Instruments Solution such as : Flow | Level | Pressure | Water Analyzer | Data logger and Smart Metering Solution

